

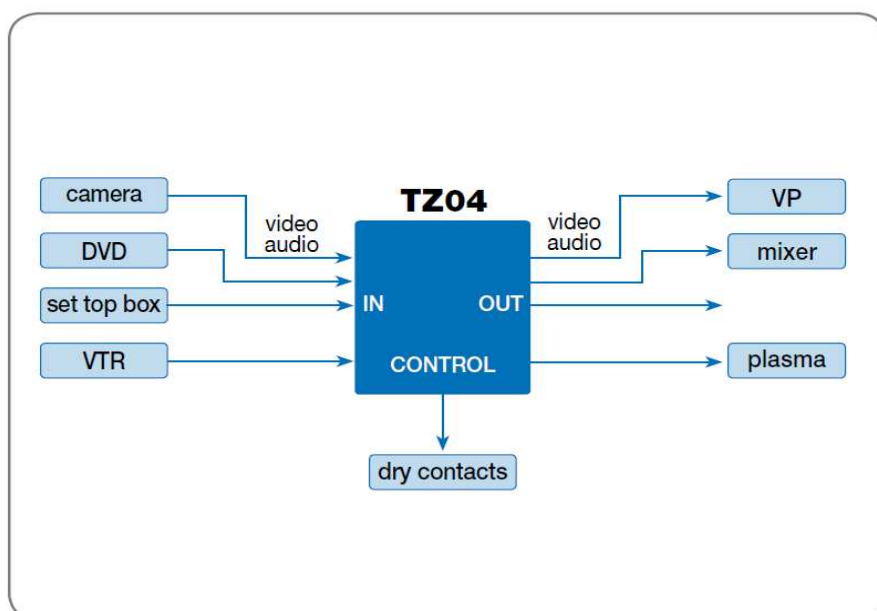
## TZ04

### 4x4 VIDEO & AUDIO MATRIX



TZ04 is a 4x4 video and stereo audio AFV matrix switcher. It's easy to use and very versatile, useful in professional and institutional video environment.

- 4x4 Video and stereo audio matrix
- Composite Video and unbalanced Audio signals
- Inputs and Outputs selectable by dedicated pushbuttons
- Status indication by 4x4 leds matrix
- Default configuration setting
- Dry contacts remote control (optional)



#### Technical specifications

##### VIDEO

Input type:	composite AC coupled
Input ret. loss:	48 dB at 5 MHz
Output ret. loss:	27 dB at 5 MHz
Frequency response:	0.3 dB at 5 MHz -3 dB at 27 MHz
Differential gain:	1%
Differential phase:	1°
Crosstalk (two section):	40 dB at 5 MHz

##### AUDIO

Input/output type:	unbalanced with RCA socket
Input impedance:	10 KΩ
Input/output level:	11 dBm max
Frequency response:	-0.5 dB from 20Hz to 500KHz
Harmonic distortion:	0.1% from 20Hz to 20kHz, 0 dBm
Crosstalk (two adj. ch.):	60 dB at 16 KHz
Hum & Noise:	-84 dBm

Main input:	230 Vac 50 Hz
Power consumption:	13 VA
Size (WxDxH):	483x140x44 mm
Weight:	2.5 Kg

Operating temp. range:	0÷45°C
Safety:	according to EN 60065
EMC:	according to EN 55013 and EN 55020